

STARMAX

The world's leading battery brand



DEEP CYCLE GEL BATTERIES

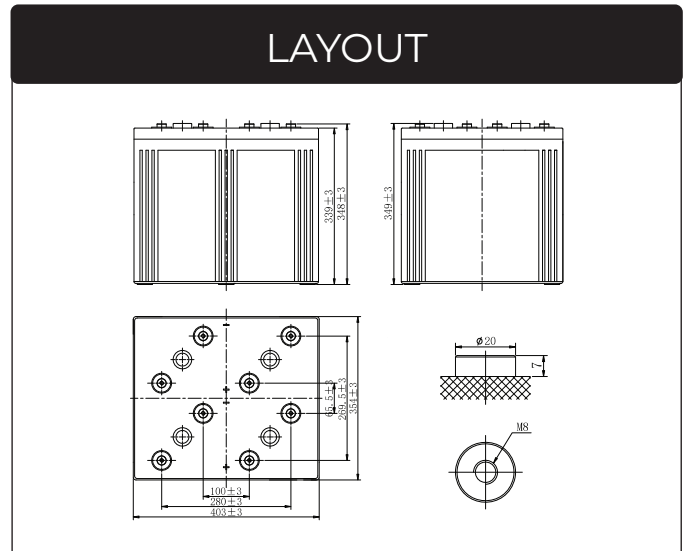
STG2-1500 (2V 1500Ah)



www.starmaxbatteries.com

STG SERIES-GEL BATTERIES

STG2-1500



General Features

- ✓ Battery design life up to 12 years
- ✓ Special plate design guarantees battery floating life more than 4000 times
- ✓ High thermal capacity reduce the risk of thermal out of control and drying hard, and the battery can be used in bad environment
- ✓ Little water losing, and no electrolyte stratification phenomenon

Applications

- ✓ Telecommunications
- ✓ Solar system
- ✓ Wind power system
- ✓ Engine starting
- ✓ Wheelchair, Floor cleaning machines, Golf trolley, Boats

Standards

- ✓ IEC 60896 Certified
- ✓ Classified as "Long Life" according to Eurobat
- ✓ UL Certified
- ✓ Manufactured at Starmax® IATF16949, ISO 9001, ISO 14001 and ISO 45001 certified production facilities



SPECIFICATIONS

Rated Voltage	2V	
Nominal Capacity	1500Ah	(C ₁₀ ,1.80V/cell)
Dimensions	Length	403±3mm (15.9 inches)
	Width	354±3mm (13.9 inches)
	Container height	339±3mm (13.3 inches)
	Total height	349±3mm (13.7 inches)
Approx. weight	94.8 Kg (209.0 lbs)	
Terminal	M8	
Container material	ABS	
Rated capacity (25°C)	1590.0 Ah	C20(79.5A,1.80V/cell)
	1500.0 Ah	C10(150.0A,1.80V/cell)
	1288.5 Ah	C5(257.7A,1.75V/cell)
	1156.5 Ah	C3(385.5A,1.75V/cell)
	709.3 Ah	C1(709.3A,1.60V/cell)
Max. discharge current	12000A (5s)	
Internal resistance (25°C)	Approx 0.42mΩ	
Operating temp. range	Discharge	-20~60°C (-4~140°F)
	Charge	-20~40°C (-4~104°F)
	Storage	-20~50°C (-4~122°F)
Nominal operating temp. range	25±3°C (77±5°F)	
Cycle Use	Initial Charging Current less than 375.0A. Voltage 2.40V~2.50V at 25°C (77°F)Temp. Coefficient -5mV/°C	
Standby Use	Initial Charging Current less than 375.0A. Voltage 2.23V~2.27V at 25°C (77°F)Temp. Coefficient -3mV/°C	
Effect of temp. to Capacity	40°C (104°F)	103%
	25°C (77°F)	100%
	0°C (32°F)	86%
Self discharge	STG series batteries may be stored for up to 6 months at 25°C(77°F) and then a freshening charge is required. For higher temperatures the time interval will be shorter.	

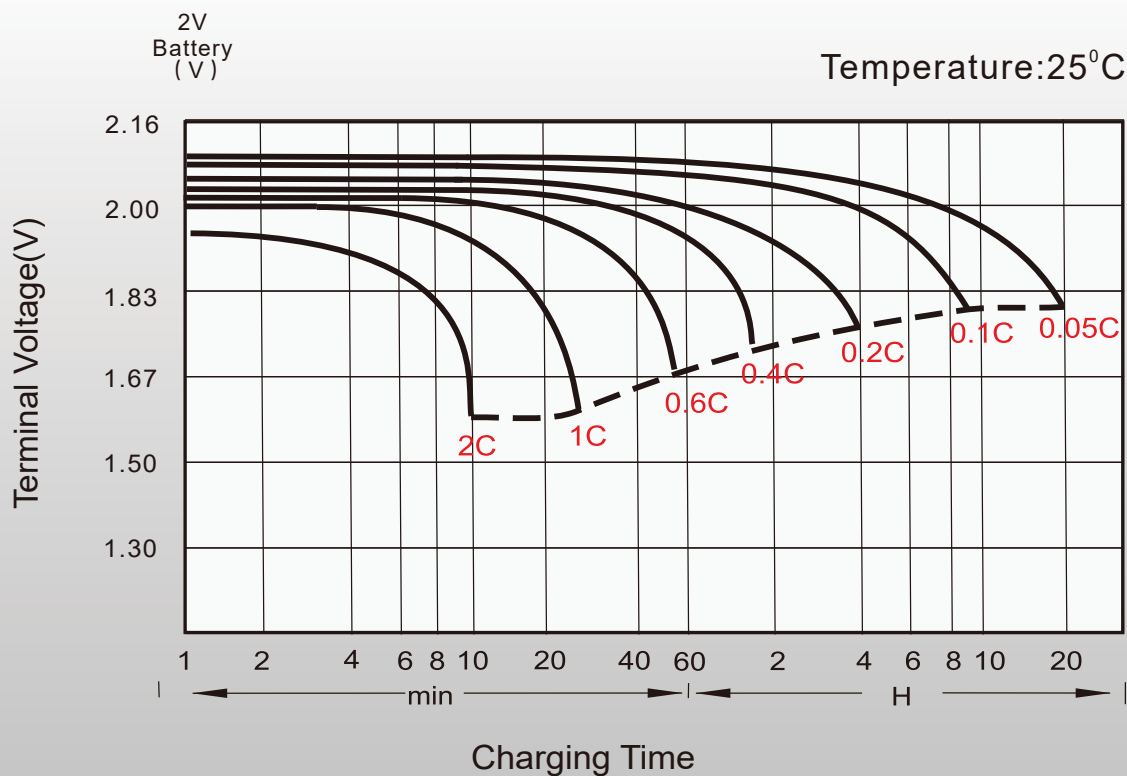
Constant Current Discharge (Amperes) at 25°C (77°F)

F.V/Time	10min	15min	20min	30min	45min	1h	2h	3h	4h	5h	6h	8h	10h	20h
1.85V/cell	1440.1	1273.8	1052.4	844.5	745.9	570.5	457.8	347.0	279.1	233.9	204.5	166.9	140.6	75.3
1.80V/cell	1674.7	1467.7	1189.8	944.3	825.5	624.2	498.1	375.5	300.9	252.0	219.4	178.7	150.0	79.5
1.75V/cell	1771.5	1540.1	1243.5	982.7	856.0	645.2	513.4	385.5	308.4	257.7	223.9	181.9	152.3	80.5
1.70V/cell	1872.3	1620.7	1298.3	1019.9	887.5	666.9	529.8	396.8	316.2	263.6	228.8	185.2	154.7	81.5
1.67V/cell	1931.3	1666.5	1331.1	1042.9	906.0	679.0	538.6	402.7	320.5	266.8	231.5	187.1	156.1	82.1
1.60V/cell	2070.0	1774.6	1406.3	1096.7	950.1	709.3	561.1	417.6	331.2	275.0	238.0	191.5	159.4	83.6

Constant Power Discharge (Watts/cell) at 25°C (77°F)

F.V/Time	10min	15min	20min	30min	45min	1h	2h	3h	4h	5h	6h	8h	10h	20h
1.85V/cell	2766.7	2454.2	2033.9	1637.4	1449.9	1112.3	894.8	680.4	548.5	460.5	403.2	329.8	278.2	149.8
1.80V/cell	3183.8	2800.7	2280.2	1817.5	1593.8	1210.1	968.6	733.2	589.2	494.5	431.4	352.3	296.4	157.9
1.75V/cell	3332.9	2910.4	2363.0	1876.9	1641.0	1243.1	992.8	749.5	601.7	504.2	439.2	358.1	300.5	159.8
1.70V/cell	3482.9	3032.2	2444.8	1932.8	1689.6	1277.5	1019.2	767.9	614.6	514.2	447.5	363.6	304.7	161.7
1.67V/cell	3568.9	3098.3	2493.2	1966.3	1716.6	1295.6	1032.6	777.3	621.7	519.4	452.0	366.9	307.1	162.8
1.60V/cell	3247.4	2165.0	2600.2	2046.0	1783.2	1342.3	1067.8	801.2	639.1	533.0	462.8	374.5	312.8	165.6

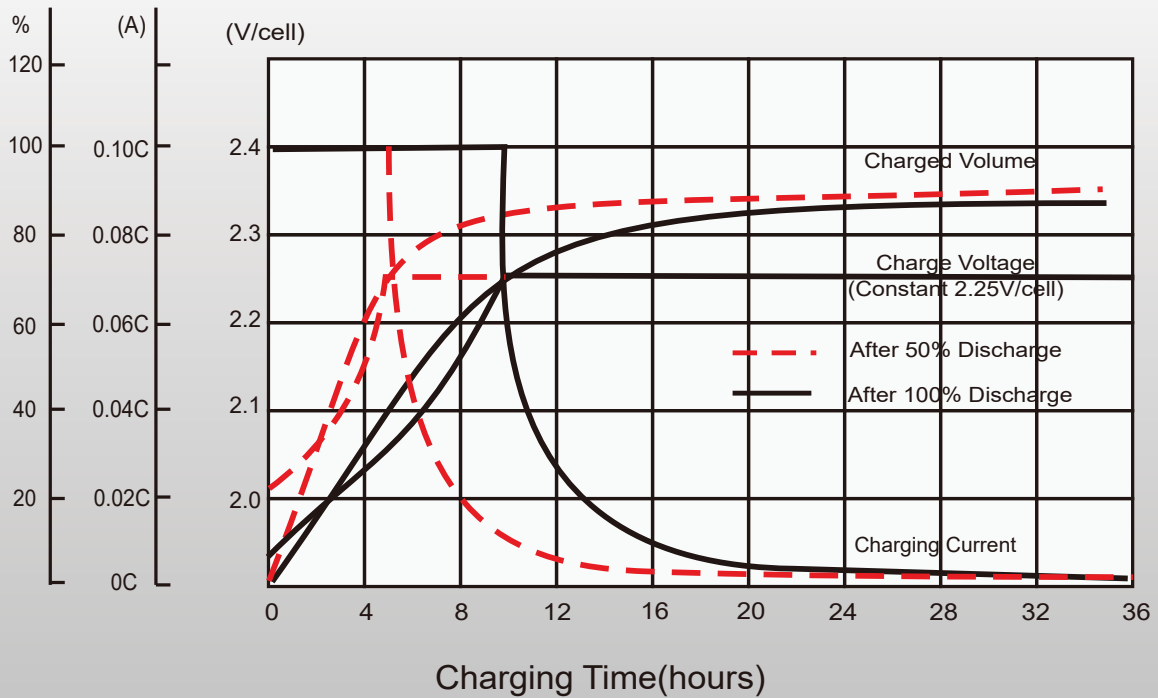
Discharge Characteristics



Float Charging Characteristics

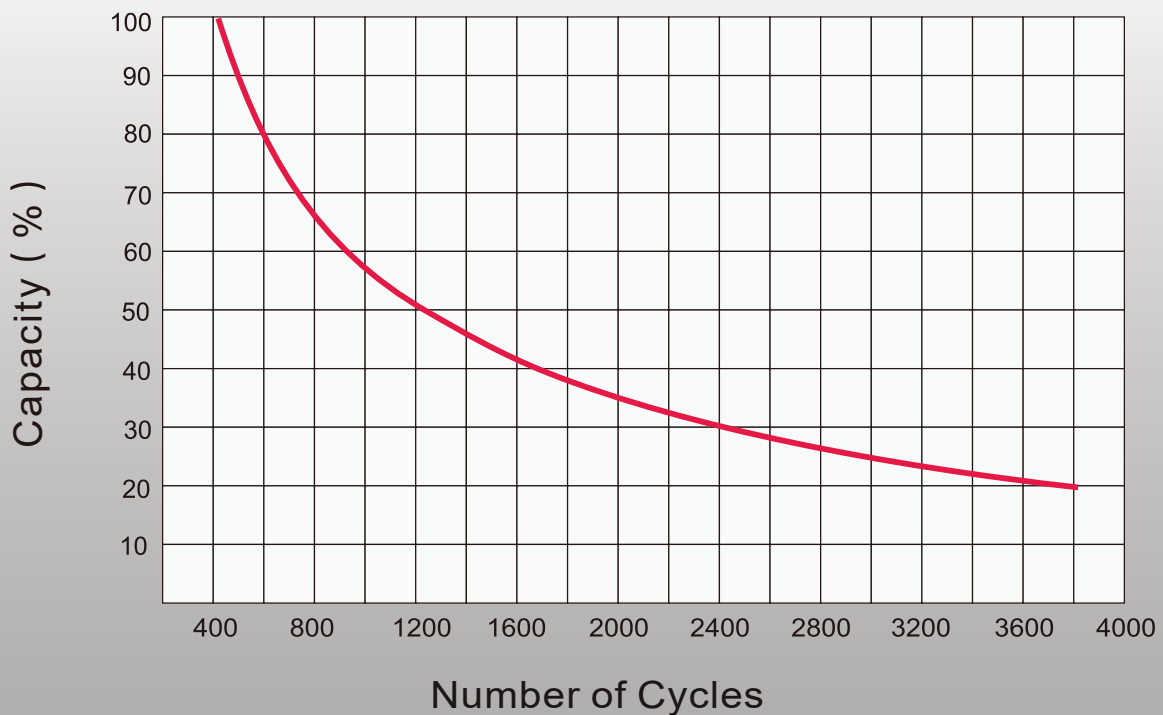
Charge Volume
Charging Current
Charging Voltage

0.1CA-2.25V/cell Temperature: 25°C

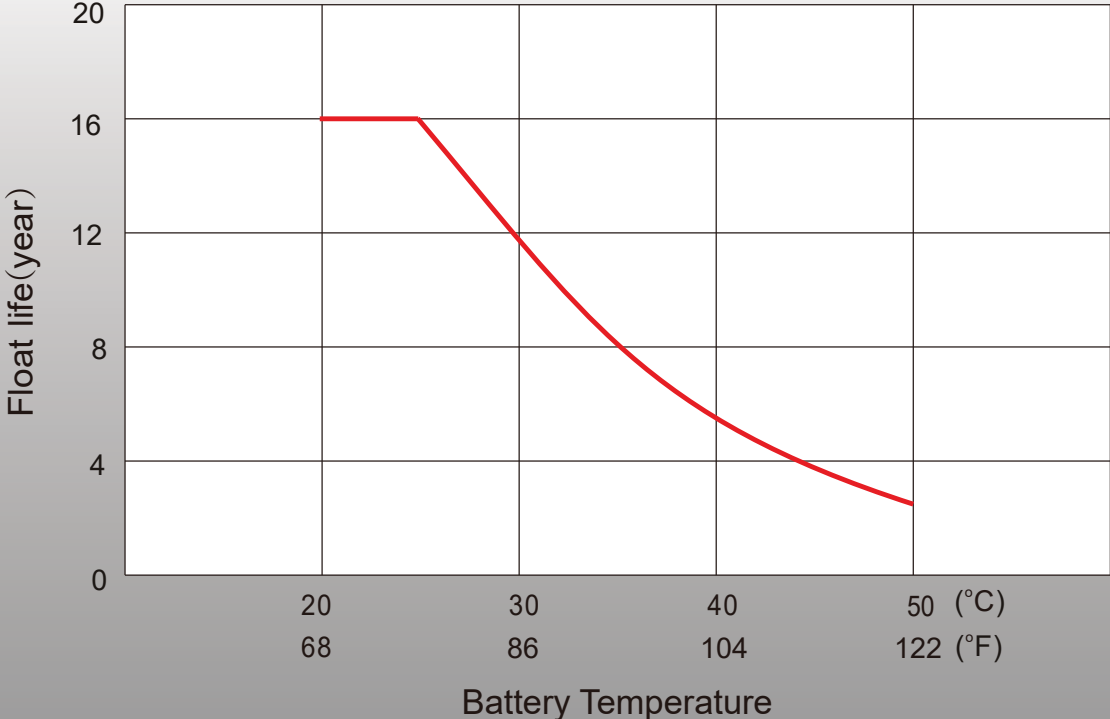


Cycle Life in Relation to Depth of Discharge

Acc.to IEC 896-2 (25 °C / 77°F)



Effect of Temperature on Long Term Float Life





Starmax Corporation

1585 Cliveden Avenue, Delta, British Columbia
V3M 6M1, Canada

Phone: +1 888 669 1310

Email: info@starmaxbatteries.com

Website: www.starmaxbatteries.com

